



Woodfold Manufacturing, Inc.

1811 18th Avenue

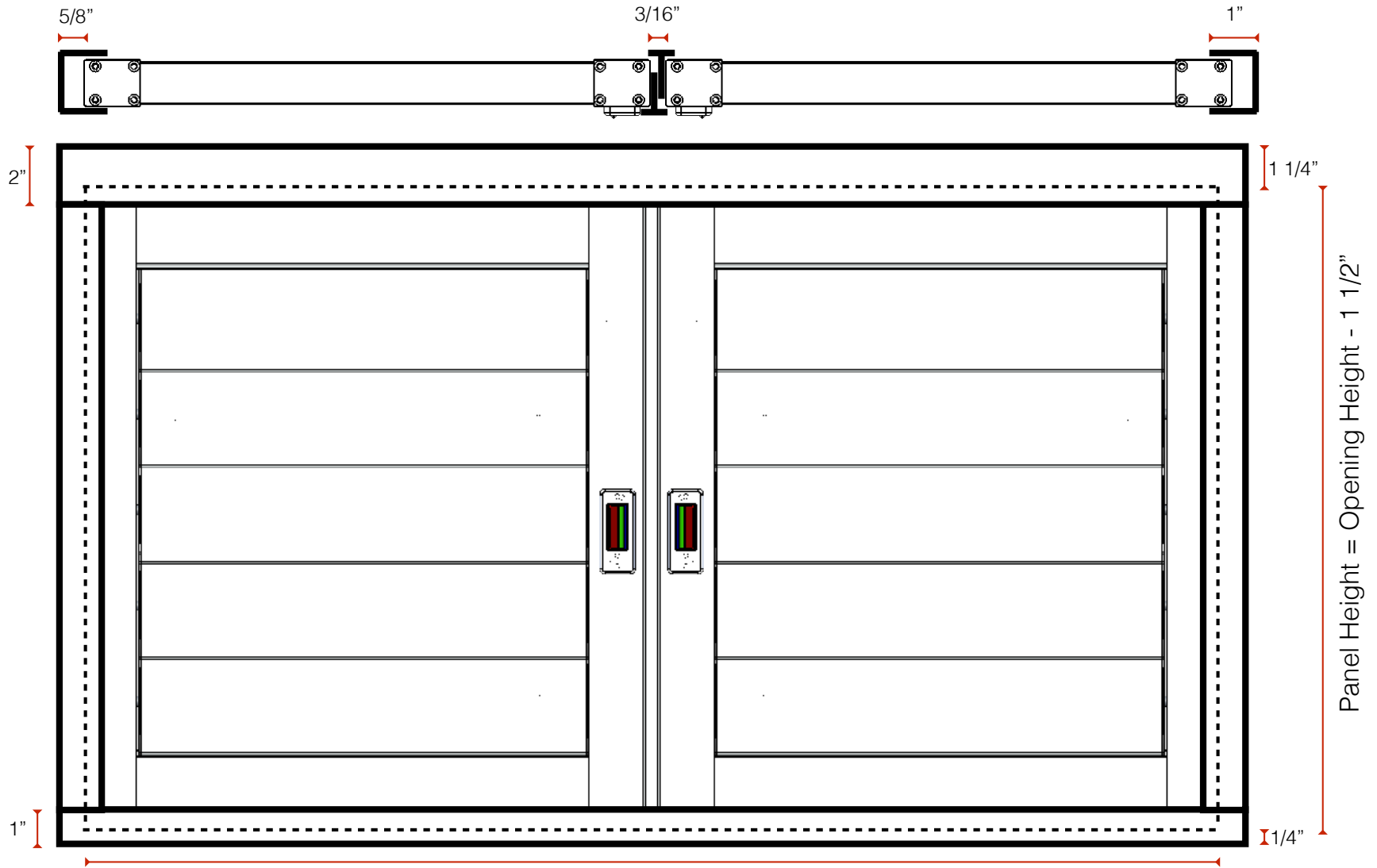
Forest Grove, Oregon 97116 USA

503.357.7181

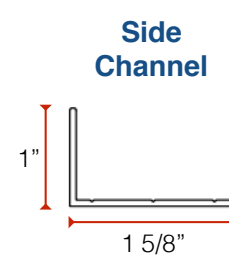
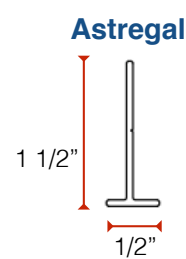
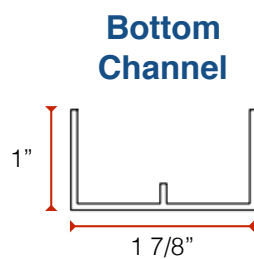
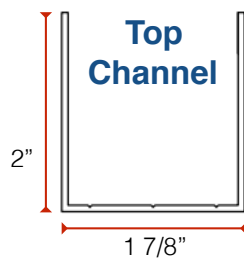
e: [woodfold@woodfold.com](mailto:woodfold@woodfold.com)

w: [www.woodfold.com](http://www.woodfold.com)

# Fixed Panel Deductions

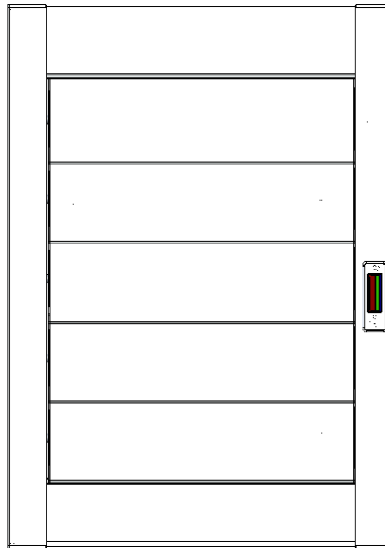


$$\text{Panel Width} = (\text{Opening Width} - 5/8'' \text{ each side} - \text{number of gaps} \times 3/16'') / \text{number of panels}$$

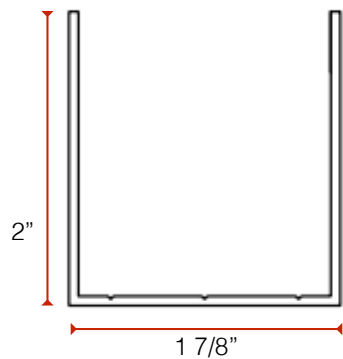


# Fixed Panel Configurations

## Single panel F

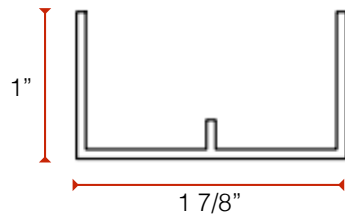


**Top Channel**



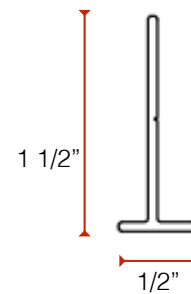
**1 x Width of Opening**

**Bottom Channel**



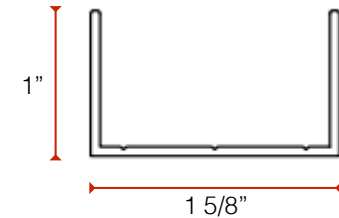
**1 x Width of Opening**

**Astregal**



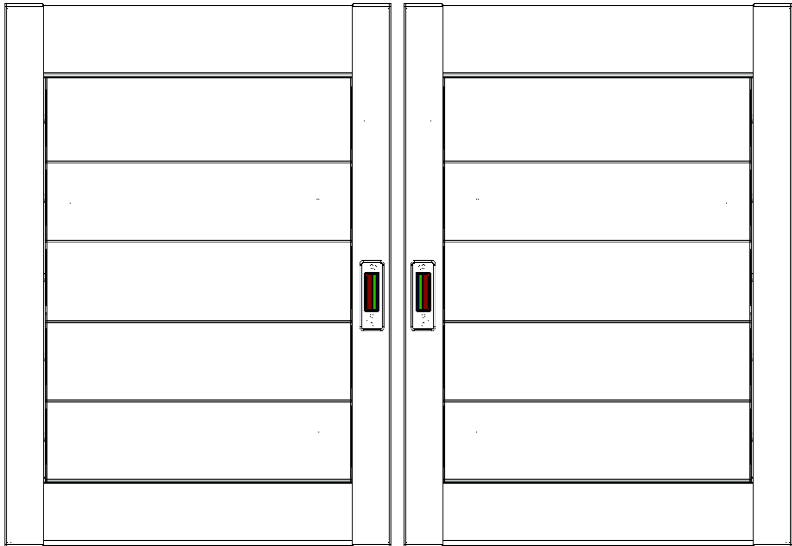
**None**

**Side Channel**

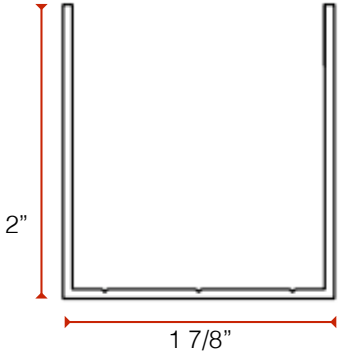


**2 x Shutter Height**

# 2 Panel FHF

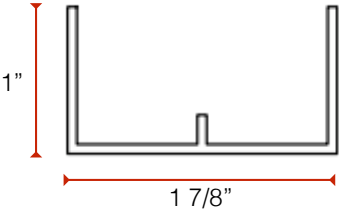


**Top Channel**



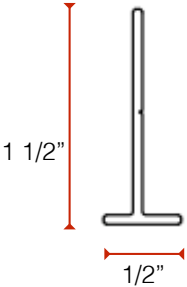
1 x Width of Opening

**Bottom Channel**



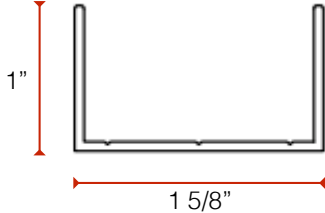
1 x Width of Opening

**Astregal**



2 x Shutter Height

**Side Channel**

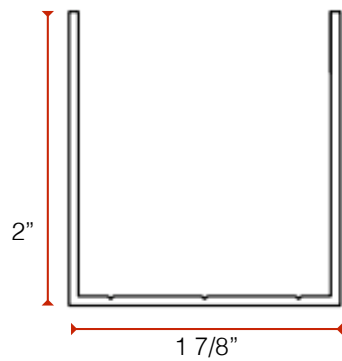


2 x Shutter Height

# 3 Panel FHFHF

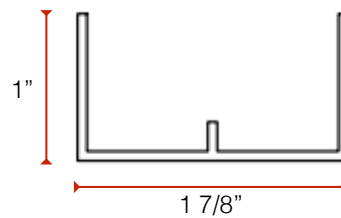


**Top Channel**



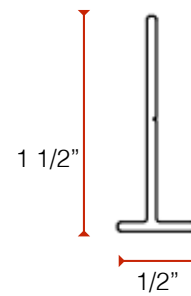
1 x Width of Opening

**Bottom Channel**



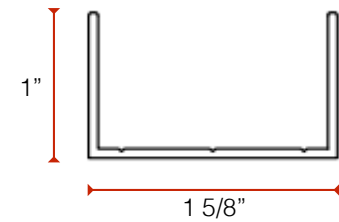
1 x Width of Opening

**Astregal**



4 x Shutter Height

**Side Channel**

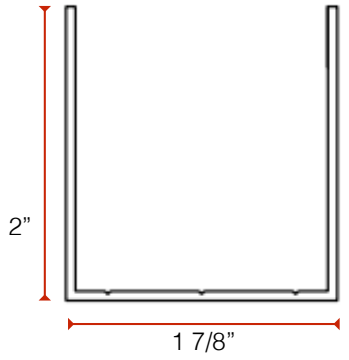


2 x Shutter Height

# 4 Panel FHFHFH

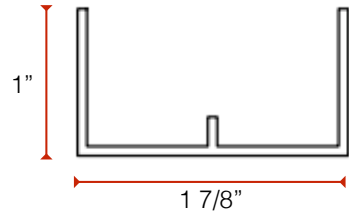


**Top Channel**



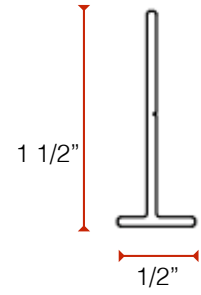
1 x Width of Opening

**Bottom Channel**



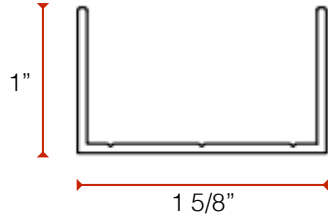
1 x Width of Opening

**Astregal**



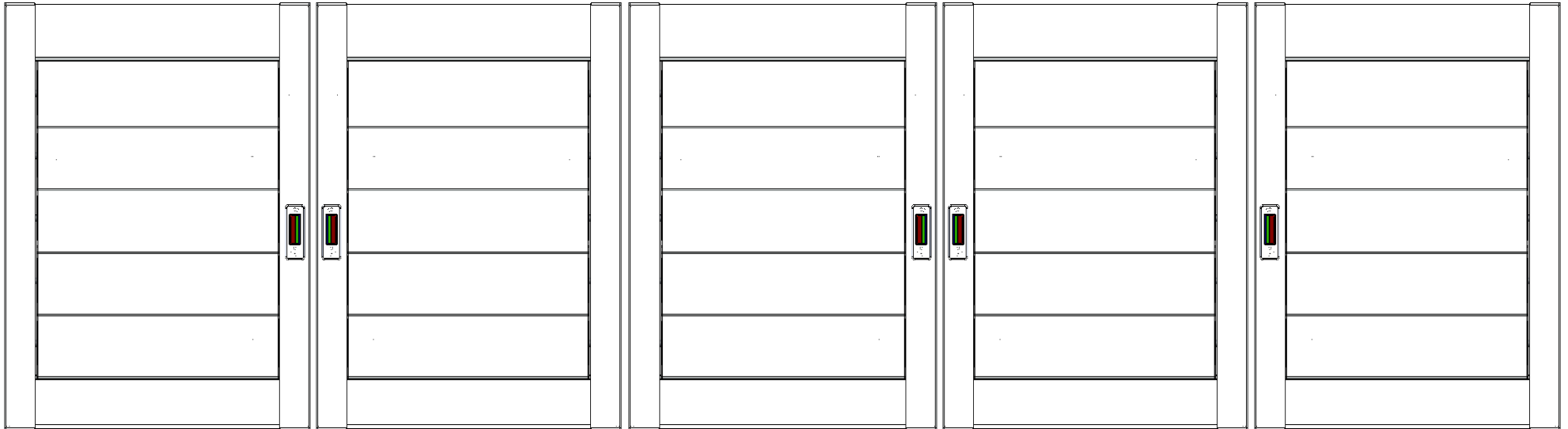
6 x Shutter Height

**Side Channel**

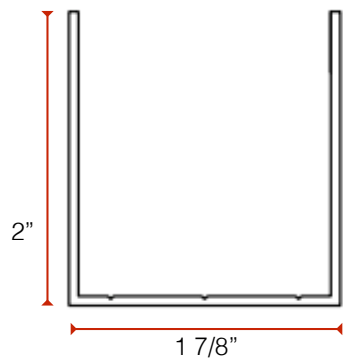


2 x Shutter Height

# 5 Panel FHFHFHFH

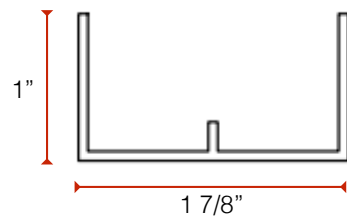


**Top Channel**



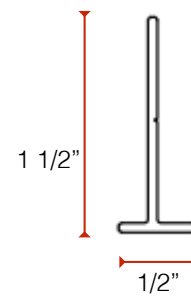
**1 x Width of Opening**

**Bottom Channel**



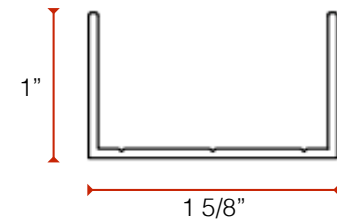
**1 x Width of Opening**

**Astregal**



**8 x Shutter Height**

**Side Channel**

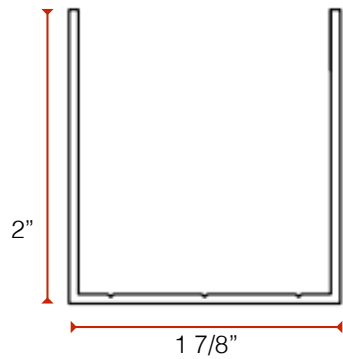


**2 x Shutter Height**

# 6 Panel FHFHFHFHF

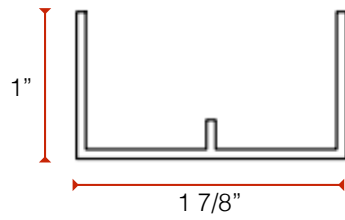


**Top Channel**



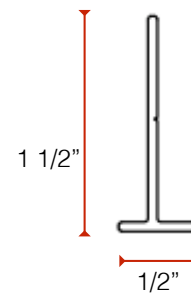
**1 x Width of Opening**

**Bottom Channel**



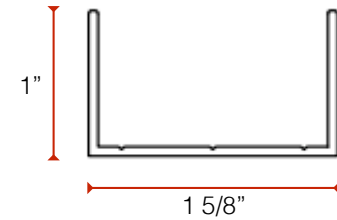
**1 x Width of Opening**

**Astregal**



**10 x Shutter Height**

**Side Channel**



**2 x Shutter Height**



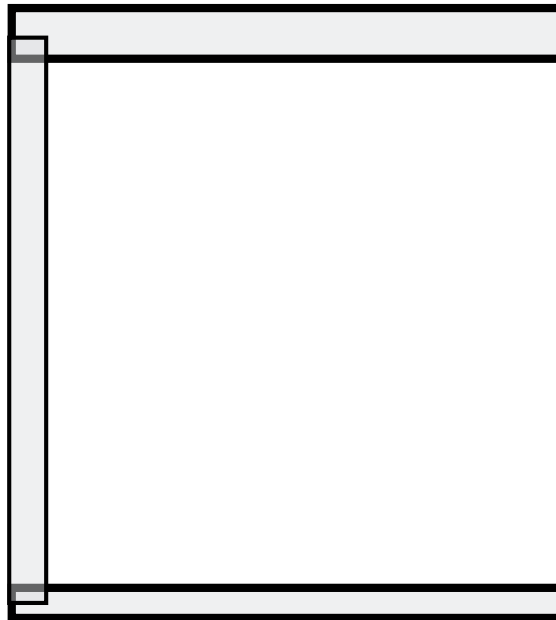
# Installation Instructions (Single Panel)

## Step 1



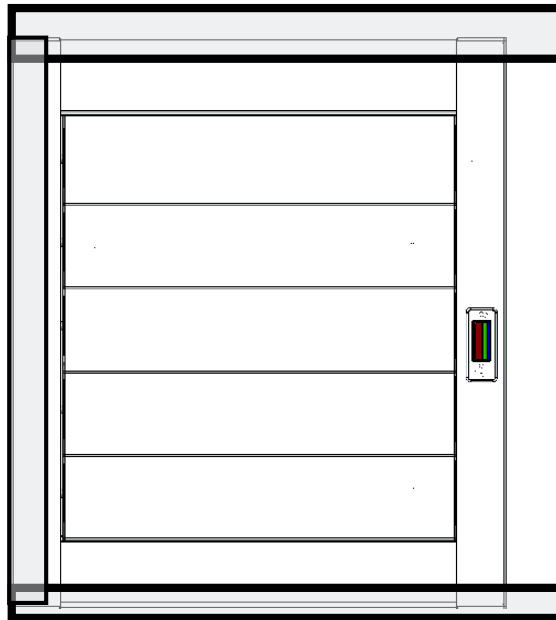
Install Top and Bottom Channels

## Step 2



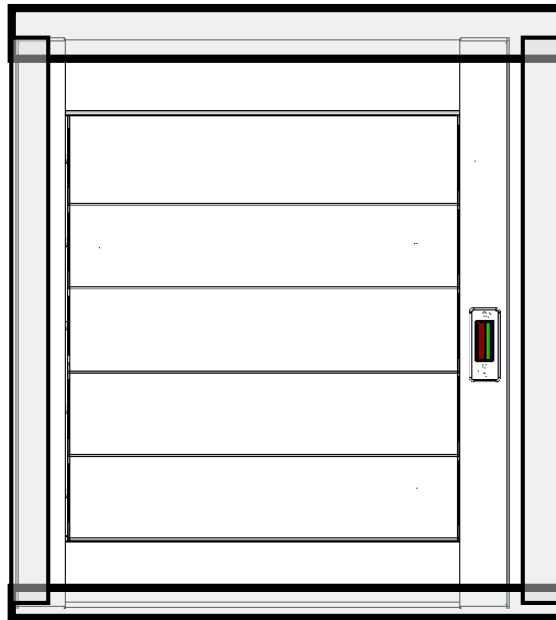
Install Left Hand Side Channel

## Step 3



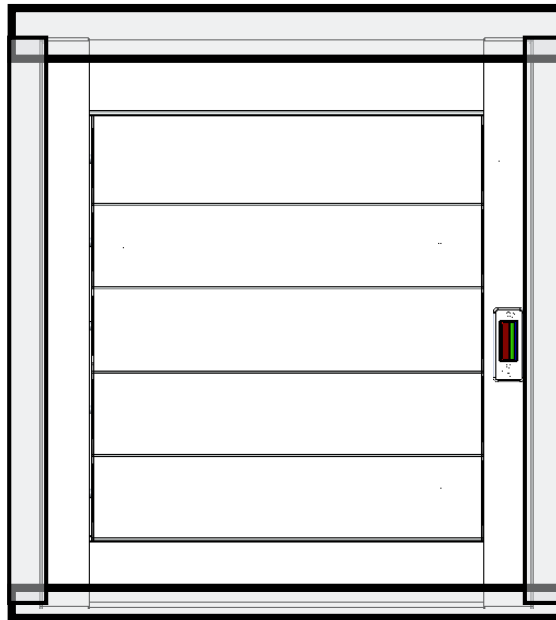
Insert Panel and push as far left as possible

## Step 4



Insert Right hand Side Channel

## Step 5



Slide panel to the right until blade stay hits right hand side channel and secure shutter with screws through top and bottom channels

# Installation Instructions (Multiple Panels)

## Step 1



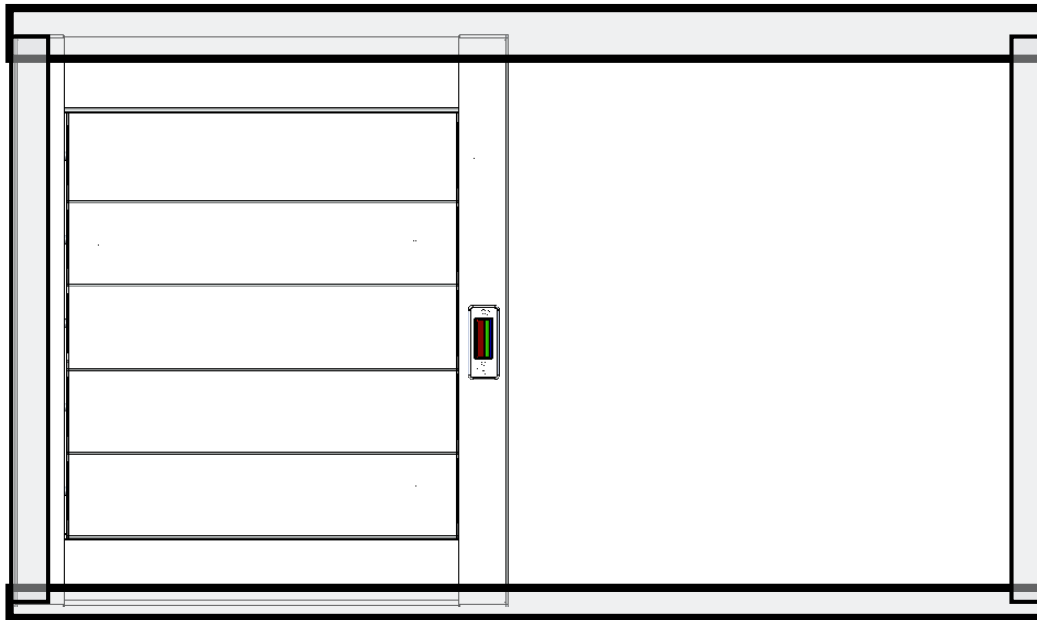
Install Top and Bottom Channels

## Step 2



Install Side Channels

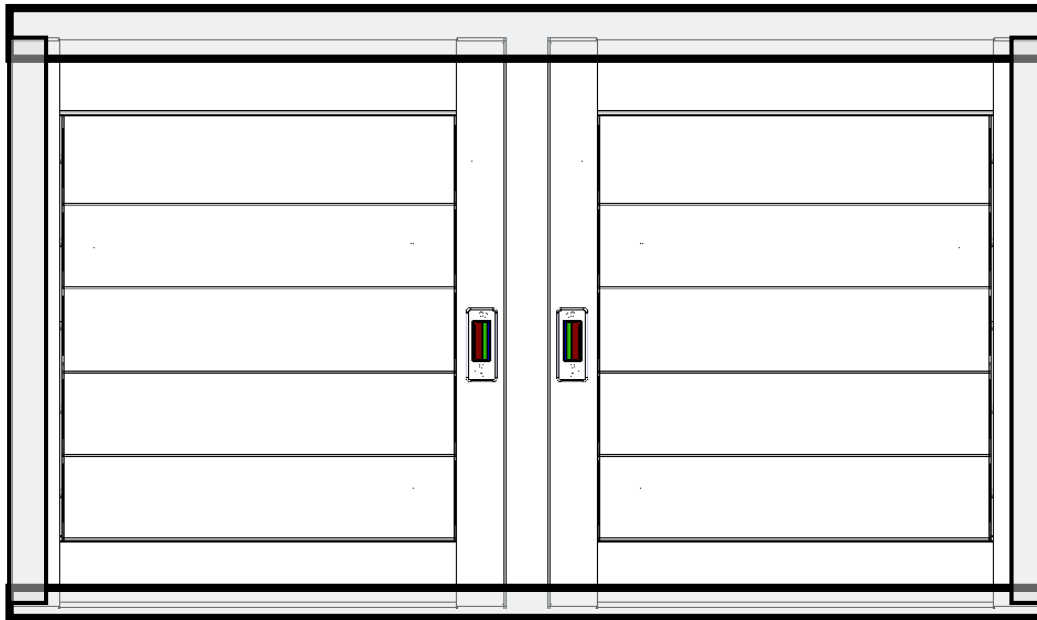
## Step 3



Insert Panel 1 and push as far to the left as possible



## Step 4



- Insert last Panel and push as far to the right as possible
- Starting from left to right, install the remaining panels and then insert astragals as per below between each panel using double sided tape provided.



## Step 5



Lastly slide shutters together so that the astragals are touching and secure shutters with screws or rivets through top and bottom channels

